

## DLN CZUJNIKI FOTOELEKTRYCZNE

DLN-S10RVP

Czujnik fotoelektr. odbiciowy z wytłum. tła 10-100mm

PNP/NPN

- BGS: Tłumienie tła
- FGS/BGR: Rozpoznawanie tła
- PNP/NPN Podwójne wyjście
- Automatyczna ochrona przed wzajemnym zakłócenianiem się dwóch czujników



### OPIS PRODUKTU

**BGS** : Background suppression

- The sensor doesn't detect objects or background being out of the setting distance.
- This mode is suited for the detection of a target without background.

**FGS**: Background recognition: BGR (Foreground suppression)

- The sensor recognizes a background and detects a target by sensing the change in received light intensity.
- This mode is suitable for the detection of a target on a stable background.

Additional 25.4mm pitch mounting holes (Middle range models)

In addition to the conventional 29mm pitch holes, universal inch (25.4mm) pitch holes are equipped.

Wide selection of detection distance

Detection distance of 30mm, 40mm, 50mm and 100mm are available for Short range model, and 100mm, 150mm, 200mm and 300mm are available for Middle range model. Distance setting is not necessary when using the sensor at the specified distance.

Automatic interference prevention (Up to 2 sensors)

Prevents the mutual interference between adjacent two sensors by shifting the transmitting pulse automatically.

NPN/PNP dual output

The dual output enables inventory management more efficient. Model numbers followed by "P" are PNP models for which PNP output is allocated to the primary (black/ PIN 4) output.

Unique optical design realizes better performance and long detection distance with the compact housing (Short range models)

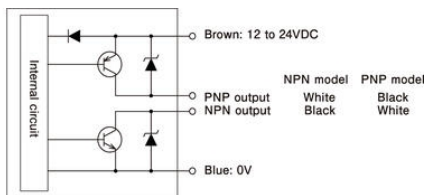
Maximum detection distance: 100mm (Actual size)

Available in sizes smaller than conventional BGS sensors and cover various methods of photo sensing.

## SPECYFIKACJA TECHNICZNA

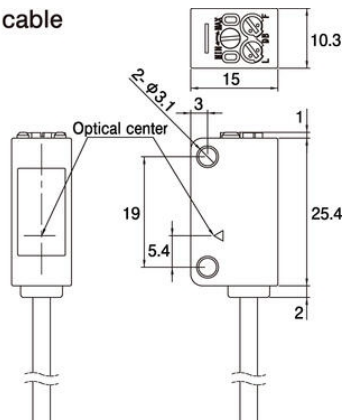
<b>Czas reakcji</b>	0,5 ms
<b>Dopuszczenia</b>	CE
<b>Funkcja</b>	Załącz, gdy jasno/ciemno

<b>Materiał obudowy</b>	PBT
<b>Materiał soczewki</b>	Poliwęglan
<b>Max. napięcie DC</b>	24 V
<b>Max. temperatura pracy</b>	55 °C
<b>Min. napięcie DC</b>	12 V
<b>Min. temperatura pracy</b>	-25 °C
<b>Pobór mocy (max)</b>	0,018 A
<b>Podłączenie elektryczne</b>	Kabel 2 m
<b>Prąd wyjściowy max.</b>	0,1 A
<b>Przełącznik załącz gdy jasno / załącz gdy ciemno</b>	Tak
<b>Stopień ochrony IP</b>	IP67
<b>Technologia czujnika</b>	Z tłumieniem tła
<b>Typ światła</b>	LED czerwony
<b>Wyjście</b>	NPN, PNP
<b>Zasięg max</b>	100 mm
<b>Zasięg min</b>	10 mm

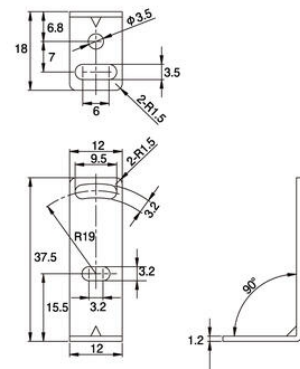


Do not use the NPN and the PNP outputs simultaneously.  
Insulate unused output cable.

Attached cable



Mounting bracket (seperately available) Model : GNB1



Mounting bracket (seperately available) Model : GNB2

