

EVI 30

30 mm Coil System

EVI 30/8 – EVI 30/9 – EVI 30/10



AMISCO

EVI 30 Coil System

The EVI 30 system by Amisco includes a wide range of 30mm coils, designed for pneumatic applications. This coil family is available for tubes with 8, 9 and 10mm diameter.

The coils are available with different voltages and connections: types power and other features are described in the following pages.



All coils feature:

- heat resistant bobbin moulded with 30% glass filled thermoplastic polyester
- class H wire 200°C according to IEC 60317-13
- built-in magnetic yoke made by low carbon iron
- encapsulation with high quality specially designed glass filled nylon

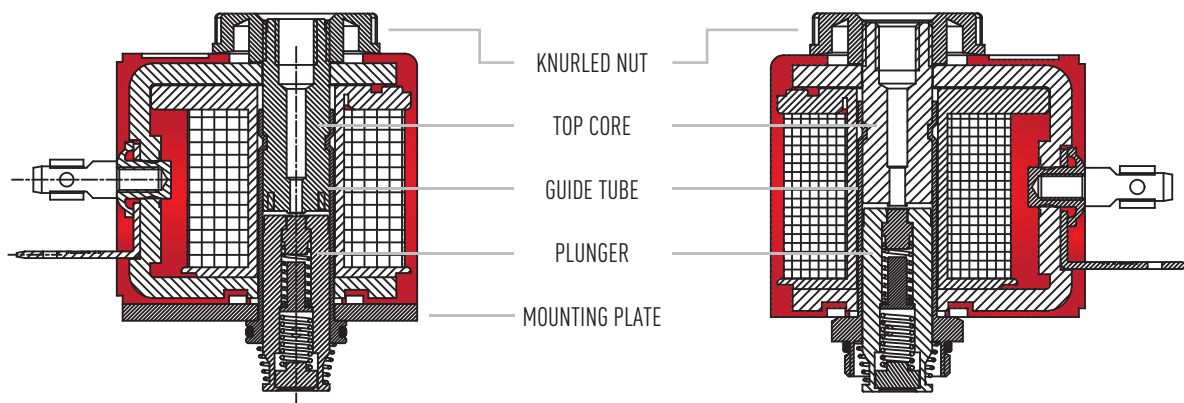
The use of other materials is possible upon special agreements. All coils are rated to F class and IP 65 (with connector and suitable seals). The coil is designed and constructed in accordance to EN 60204.1 and VDE 0580 and it is suitable for industrial ambient conditions.

COMPLETE SOLENOID OPERATOR AND PILOT VALVE

The EVI 30/9 coils can be equipped with the suitable plunger guide tube (see S8 - S9 Catalogue) or even in combination with a complete pilot valve. In this case refer to 22mm 30mm pilot valve system catalogue.

The EVI 30/8 coils can be equipped with the suitable plunger guide tube (see S8 - S9 Catalogue).

The coil is fastened to the plunger guide by means of a knurled nut for ease of change over without interrupting the pneumatic circuit.



The specifications and drawings contained herein are believed to be correct and are given in good faith, however no liability is accepted therefore. Manufacturer reserves the right to modify said specifications and drawings without notice for technical or commercial reasons.

COIL CODING SPECIFICATIONS

CODE: **X X 9 9 Y K 5 5 5 4 4 * ***

TYPE
30 = EVI 30

COIL BORING
08 = 8mm
09 = 9mm
10 = 10mm

ELECTRICAL CONNECTION
C = Flying Lead
D = DIN 43650 A
L = M12 LED

SUPPLY CURRENT
A = Alternating current (A.C.)
D = Direct current (D.C.)
R = Rectified alternating current

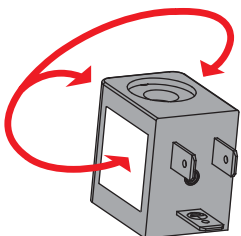
NOMINAL VOLTAGE
Example: 024 = 24V
220 = 220V

EVI 30/8 WINDING CODE		
Nominal Voltage	Power	Winding Code
12VDC	4W	05
24VDC	4W	05
24VAC	4VA	06
110VAC	4VA	05
230VAC	5VA	01

EVI 30/9 WINDING CODE		
Nominal Voltage	Power	Winding Code
12VDC	2W	01
	4,5W	05
24VDC	2W	01
	4,5W	06
24VAC	3VA	08
	5VA	02
110VAC	3VA	07
	5VA	02
230VAC	3VA	04
	5VA	01

EVI 30/10 WINDING CODE		
Nominal Voltage	Power	Winding Code
12VDC	6W	03
12VAC	5VA	02
24VDC	6W	07
24VAC	9VA	04
110VAC	5VA	02
230VAC	5VA	01

MARKING
ZN = Standard - no logo
AM = Standard + Amisco logo
... = Customer specifications



Alternative possibilities for
CUSTOMER LOGO

EVI 30 Coil System

Coil EVI 30/9

Code	Characteristics		DC		AC (50 Hz)		AC (60 Hz)	
3009...	Rated power DC	W	2	4,5				
	Inrush power AC	VA			5,5	9	4,5	7,5
	Rated power AC	VA			3	5	2,5	4,2
	Coil temperature rise	°C	20	35	20	35	15	30
	Copper temperature rise	°C	25	50	25	45	20	35

Coil EVI 30/8

Code	Characteristics		DC		AC (50 Hz)		AC (60 Hz)	
3008...	Rated power DC	W	4					
	Inrush power AC	VA			7,5		6,5	
	Rated power AC	VA			4		3,5	
	Coil temperature rise	°C		35		35		30
	Copper temperature rise	°C		48		35		30

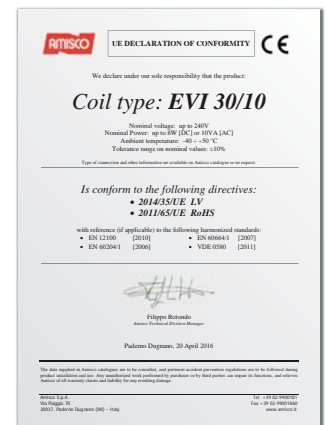
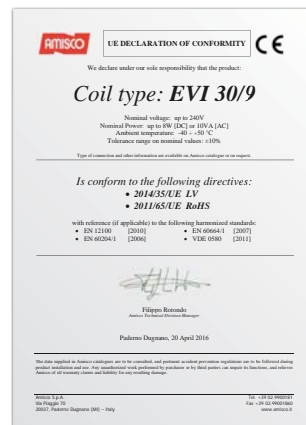
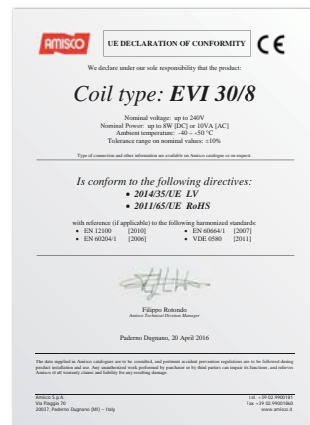
Coil EVI 30/10

Code	Characteristics		DC		AC (50 Hz)		AC (60 Hz)	
3010...	Rated power	DC	2	4,5				
	Inrush power	AC			5,5	9	4,5	7,5
	Rated power	AC			3	5	2,5	4,2
	Coil temperature rise	°C	26	56	24	35	20	29
	Copper temperature rise	°C	31	62	26	37	22	31

Note:

Voltage tolerance:	± 10%	Standard voltages:	12 - 24 VDC
Temperature range:	-40°C ÷ +50°C		110 - 115 - 220 - 230 VAC
Duty cycle:	100%		Other voltages and power levels are available on request

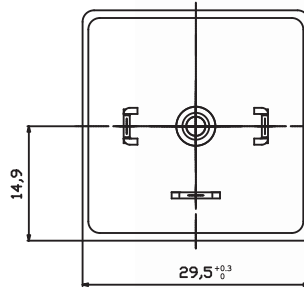
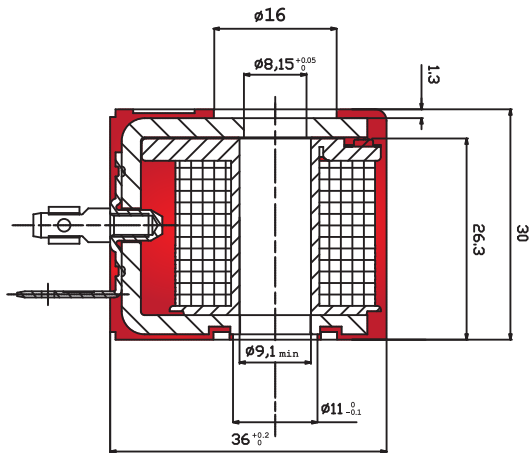
- Power levels, and heating for AC coils are related to Amisco armatures
- The coils performance change according to ambient temperature. All the power levels of this page are @ 20°C.
- All the previous and following data can be modified by Amisco at any time



EVI 30/9 DIN 43650A (EN 175301-803 ISO 4400)

CODE 3009D...

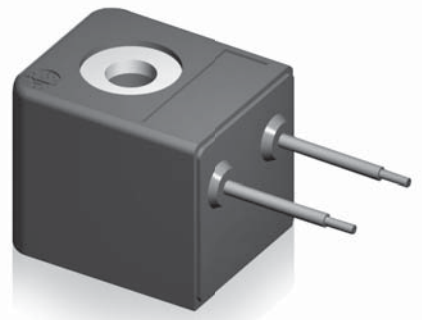
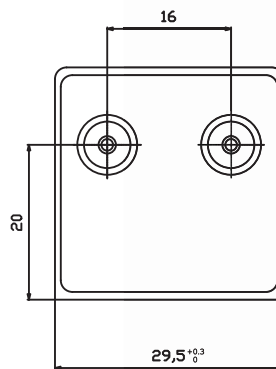
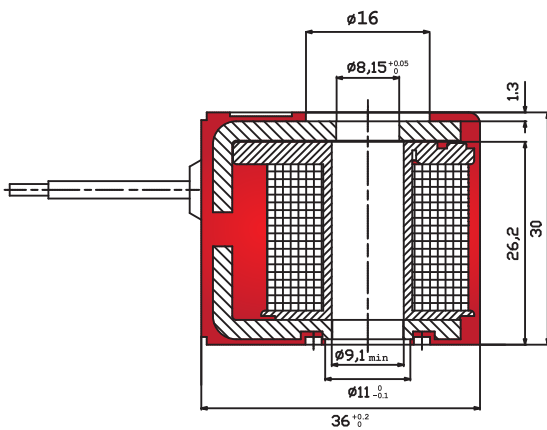
[M3 Torque 0,4 ± 0,6Nm]



EVI 30/9 Flying Leads

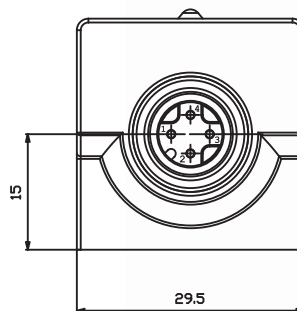
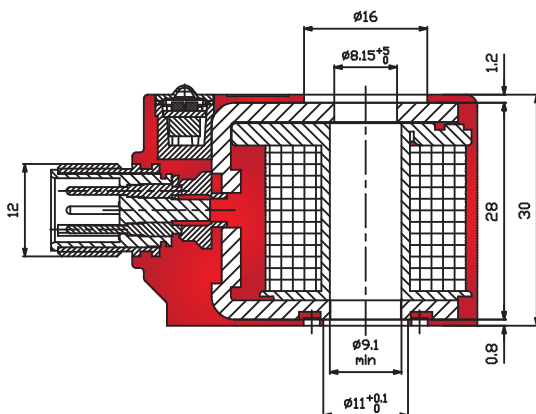
CODE 3009C...

500mm flying leads as a standard

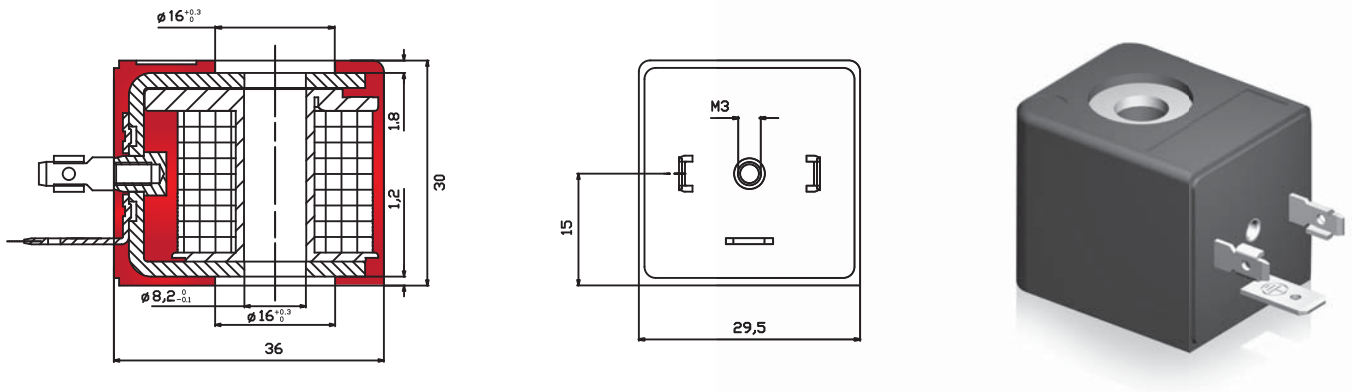


EVI 30/9 M12 LED

CODE 3009L...



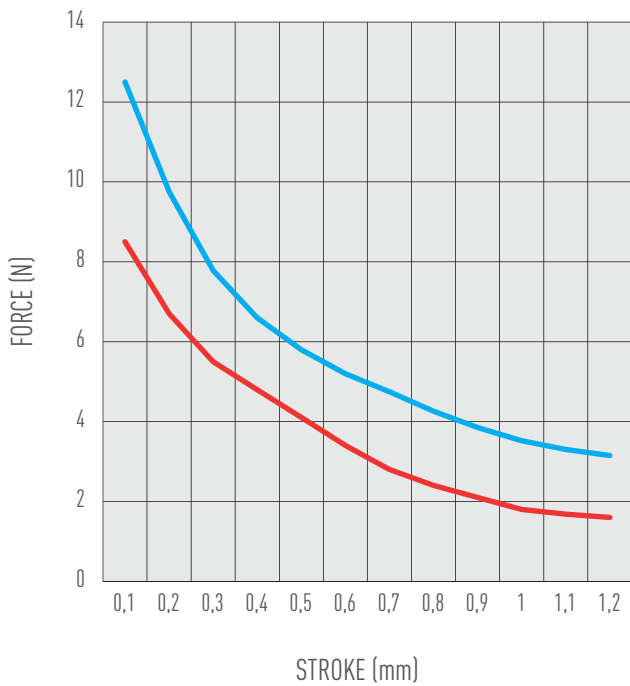
(M3 Torque 0,4 ÷ 0,6Nm)



Typical example of force - stroke curve

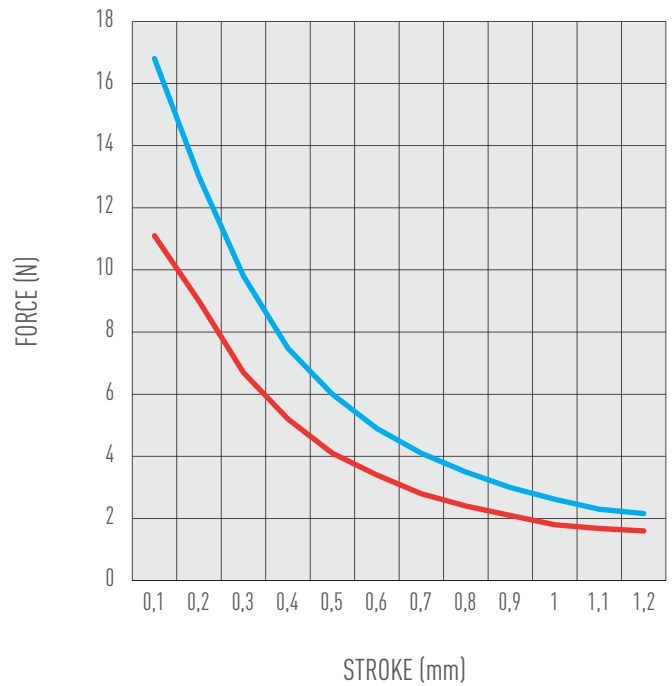
Pull Force EVI 30/9 AC 50Hz

9VA 5VA



Pull Force EVI 30/9 DC

6W 2W



For more information please contact Amisco.



w w w . a m i s c o . i t

AMISCO S.p.a.
Via Piaggio, 70
20037 Paderno Dugnano (Mi)
Italy

Tel. +39 02.99.00.181
Fax +39 02.99.00.18.60
amisco@amisco.it