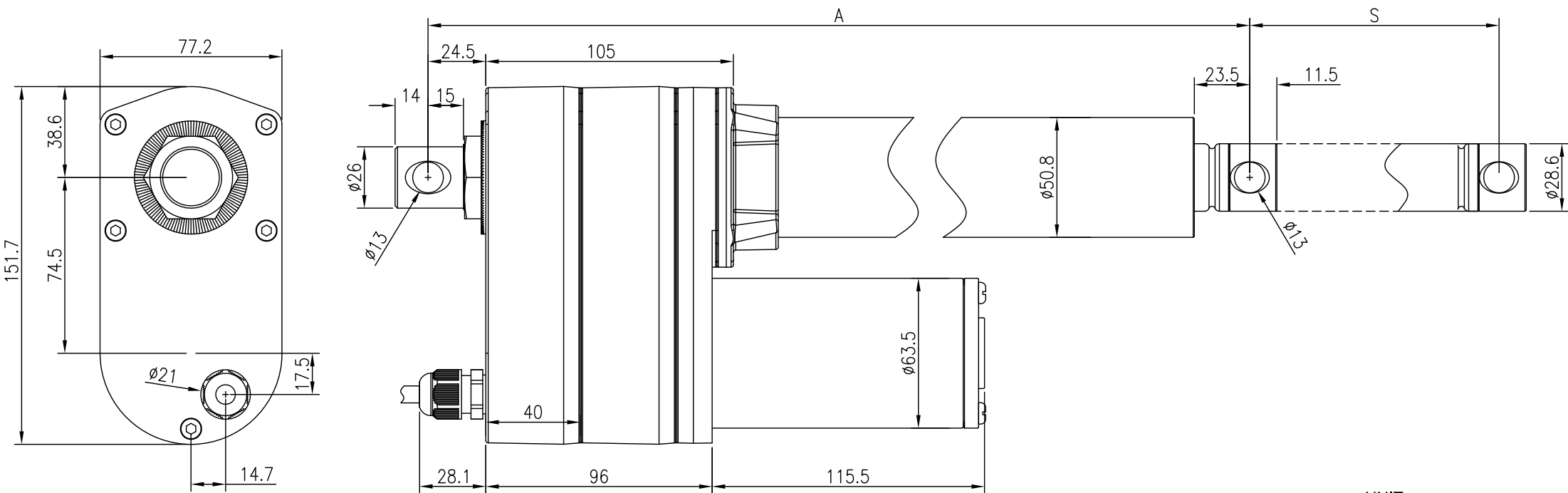


BALL SCREW-with LT or LT+POT

S ±5	4"(102)	6"(153)	8"(203)	10"(254)	12"(305)	18"(457)	24"(610)
A ±5	399	450	501	552	680	832	985



UNIT: mm

 	DATE:
	23 April 2018
TITLE:	
Linear Actuator ID10	